



NISSAN PRIMASTAR
E-BROCHURE





PRIMASTAR GRADES

Whichever version you choose, you'll find the Primastar is as easy to drive as it is on the eye, because it's been designed to not only have all the driver comforts you'd find in a car, but to also handle with car-like smoothness. Precise steering and good visibility give excellent driver control under all conditions, and its standard driver's airbag, three-point seatbelts with pre-tensioners and load limiters mean you are protected at all times.

SE GRADE

CARGO AREA ACCESSIBILITY

- Unglazed 180° opening rear doors
- Unglazed nearside (left) sliding door
- Side and rear door-activated loading lamps
- 6 x Floor mounted lashing rings

SAFETY AND SECURITY

- Driver airbag
- 3-Point seatbelts (x2)
- Seatbelt pre-tensioners
- High mounted rear brake lamp
- 4 Disc brakes (ventilated front)
- Side-impact door bars
- Engine immobiliser and alarm
- Remote central locking
- Deadlocking
- ABS
- 3-Button key with opening/locking of selective doors
- Full steel bulkhead

COMFORT AND CONVENIENCE

- Single CD player with steering wheel controls
- 3-Way adjustable driver's seat with height adjust
- Tinted windows
- Power assisted steering
- Tachometer
- Intermittent wash-wipe (windscreen)
- Map lamp
- Dash-mounted gear lever
- Driver and passenger cup holders
- Door pocket with large bottle holder
- Glovebox with CD and sunglasses holder
- Power windows
- Power and heated door mirrors
- Twin passenger seat with additional 3-point seatbelt
- Nissan Rear Park System (RPS)
- Trip computer



OPTIONS

- Metallic paint
- Air conditioning with pollen filter
- Power take-off
- Digital tachograph
- Digital tachograph and towbar
- Off-side (right) unglazed sliding loading door
- 250° Opening rear doors unglazed (on LWB, low roof versions only)

OPTION PACKS

- Comfort pack
 - Air Conditioning with Pollen Filter
 - Drivers Seat Armrest
 - Front Fog Lamps
 - Intelligent Wipers
 - Automatic Lighting System
- Safety Pack
 - Front Fog Lights
 - Passenger Airbag
 - ESP
- Technology Pack
 - Satellite Navigation
 - Air Conditioning

- Glazed Tailgate Pack
 - Rear Glazed Tailgate with Wiper
 - Heated rear Window
 - Glazed Bulkhead with Rearview Mirror
- Glazed Rear Doors Pack A – with Tubular Bulkhead
 - Glazed Rear Doors 180 Opening
 - 1/3 Tubular Bulkhead and Interior Rearview Mirror
- Glazed Rear Doors Pack B – with Glazed Bulkhead
 - Glazed Rear Doors 180 Opening
 - Glazed Bulkhead and Interior Rearview Mirror
 - Heated Rear Windows
- Glazed Rear Doors Pack C – with Glazed Left Side Door
 - Glazed Rear Doors 180 Opening with Wiper
 - 1/3 Tubular Bulkhead and Interior Rearview Mirror
 - Heated Rear Windows
 - Glazed Left Side Door with Opening Window
 - Single Passenger Seat

primastar

		MODEL														
Length		Short Wheelbase						Long Wheelbase								
Roof height		Low				High		Low				High				
Engine		dCi90	dCi115			dCi115	dCi115	dCi150	dCi115	dCi150	dCi115	dCi150	dCi115	dCi150		
Payload		1T	1T	1.2T												
Transmission		manual	robot	manual	robot	manual	robot	manual	robot	manual	robot	manual	robot	manual	robot	
ENGINE																
No.of cylinders		4														
Valves per cylinder		4														
Engine capacity		cm ³	1995						2464	1995	2464					
Bore x Stroke		mm	84x90						89x99	84x90	89x99					
Maximum engine power		hp	90	115				150	115	150						
		rpm	3500													
Maximum torque		Nm	240	290				320	290	320						
		rpm	1600						1500	1600	1500					
Compression ratio		15.6:1						17.1:1	15.6:1	17.1:1						
Fuel type		Diesel														
Fuel supply		Direct Common Rail														
Battery		Ah	85						95	85	95					
Alternator		Amps	150													
DRIVE TRAIN																
Transmission		6 speed manual	6 Speed manual/6 Speed automatic													
Drive wheels		Front														
CHASSIS																
Suspension		Front	Independent, McPherson strut, coil springs, anti-roll bar													
		Rear	Torsion beam axle, coil springs with progressive action, shock absorbers with variable damping and anti-roll bar													
Steering		Rack and pinion, power assisted														
Braking system (option)		Ventilated discs front : 305mm/28mm, plain discs rear : 280mm/12mm, Hydraulic braking and two independent circuits in "X", power assisted (EBD, 4 sensor ABS)														
Wheel size		6 J 16														
Tyre size		Standard	Payload 1000: 195/65 R16C/Payload 1200: 205/65 R16C													
		Optional	215/65 R16/205/65 R16AW						205/65 R16AW							
PERFORMANCE																
Maximum speed		km/h	145	160	150	160	170	150	159							
		mph	90.1	99.4	93.2	99.4	105.6	93.2	98.8							
Min.turning circle (kerb to kerb)		m	11.84													

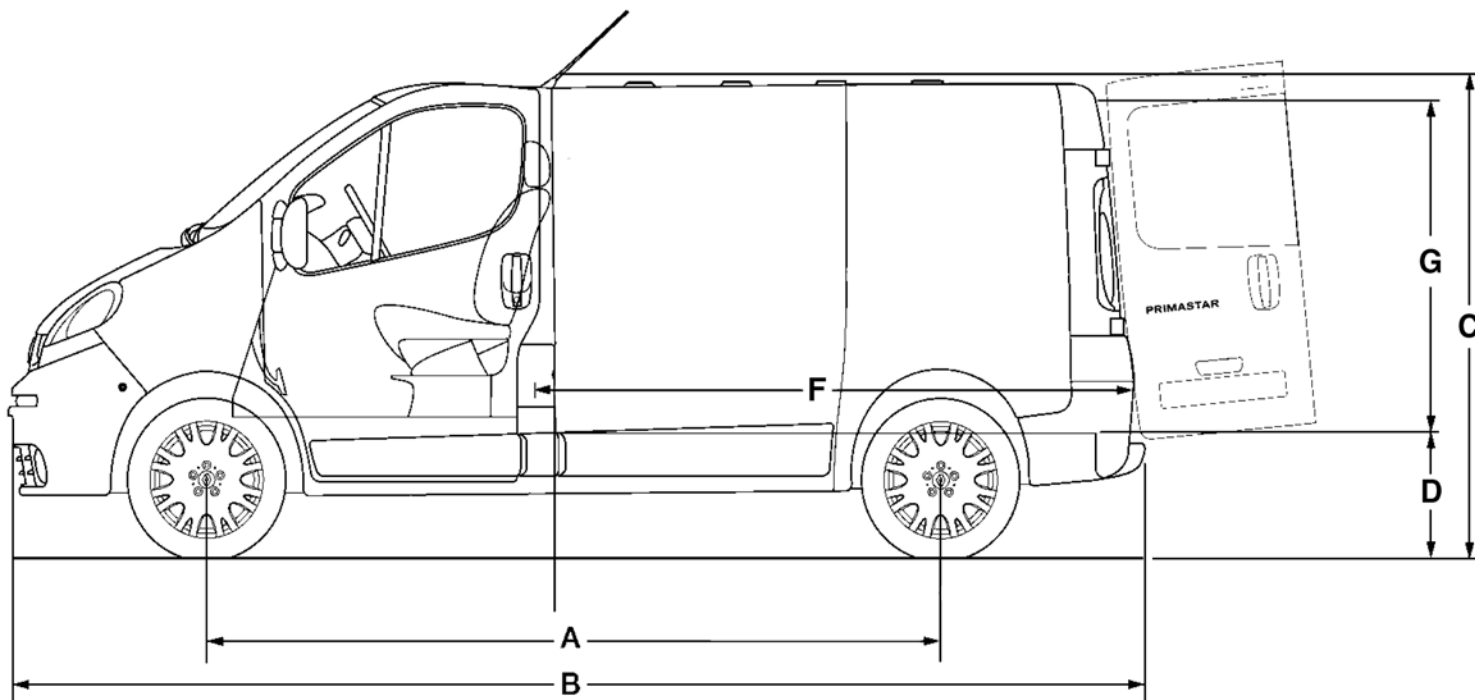
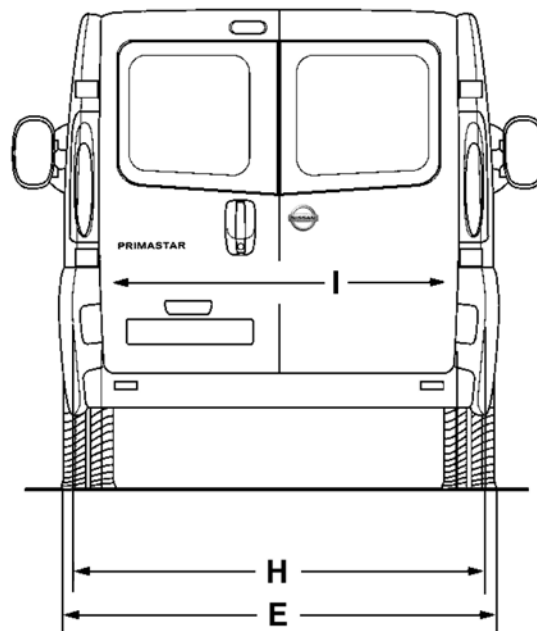
MODEL																	
Length			Short Wheelbase						Long Wheelbase								
Roof height			Low				High		Low				High				
Engine			dCi90	dCi115			dCi115		dCi115		dCi150		dCi115		dCi150		
Payload			1T	1T	1.2T												
Transmission			manual		robot	manual	robot	manual	robot	manual	robot	manual	robot	manual	robot	manual	robot
WEIGHTS																	
Kerb weight		Min.	kg	1678	1690	1689	1701	1760	1773	1725	1737	1772	1785	1810	1823	1860	1872
Gross vehicle weight			kg	2770	2735	2935	2945	2920	2935	2960	2930	3035	3005	3010	3025	3065	3070
Maximum payload*			kg	1092	1045	1246	1244	1160	1162	1235	1193	1263	1220	1200	1202	1205	1198
Gross axle weight		Front	kg	1450		1550	1580				1620						
		Rear	kg	1550		1650											
Max trailer weight (1)		Braked	kg	2000													
		Unbraked	kg	750													
OVERALL DIMENSIONS																	
Length			mm	4782						5182							
Width			mm	1904													
Height (unladen)			Min.	mm	1955			1963		1962				2464			
Wheelbase			mm	3098						3498							
Overhang		Front	mm	833													
		Rear	mm	851													
Track		Front	mm	1615													
		Rear	mm	1630													
Ground clearance (unladen)			mm	168			178				181		177		174		
CARGO AREA DIMENSIONS																	
Maximum length			mm	2400						2800							
Maximum width			mm	1690													
Maximum height			mm	1387			1913		1387				1913				
Maximum width between wheel arches			mm	1268													
Maximum load platform height			mm	534						533				525			
Cargo volume			m ³	5.02			7.09		5.94				8.36				
Side door		Width	mm	1000													
		Height	mm	1285													
Back door		Width	mm	1390													
		Height	mm	1335			1818		1335				1818				
FUEL TANK																	
Capacity			l	90													

*GVW minus unladen weight (driver and crew weight must be subtracted).

(1) When a vehicle is fitted with a towbar, it is recommended that a tachograph is fitted, since the ability to tow a trailer giving a Gross Train Weight (GVW + Trailer Weight) of over 3,500Kg without a tachograph could be considered to be contrary to EU and UK road traffic legislation.

PRIMASTAR					
Dimensions (mm)		Van			
		SWB Low	SWB High	LWB Low	LWB High
Wheelbase	A	3098		3498	
Overall length	B	4782		5182	
Overall height	C	1955* 1963**	2465	1962	2464
Sill height	D	534		533	525
Overall width	E	1904			
Cargo length	F	2400		2800	
Cargo height	G	1387	1913	1387	1913
Cargo width	H	1690			
Width between wheel arches	I	1268			

*1.0 tonne payload models
 **1.2 tonne payload models







MINIBUS GRADES

The Primastar Minibus is the stylish way to transport up to eight passengers. With the responsiveness of a car and a highly effective braking system of all round disc brakes with ABS and EBD, driver or passenger, everybody can enjoy the ride of the Primastar Minibus. With the availability of several optional extras, it's easy to make the most of the Primastar Minibus, whatever your business; whatever your needs.

SE GRADE

CARGO AREA ACCESSIBILITY

- Rear glazed tailgate
- No bulkhead
- Side and rear door-activated loading lamps
- Rear load area rubber floor covering
- Double sliding doors with opening windows
- Rear wiper
- Heated rear window

SAFETY

- Driver airbag
- Passenger airbag
- Seatbelt pre-tensioners
- High mounted rear stop lamps
- ABS with EBD and EBA
- Panoramic door mirrors
- Side impact door bars
- 4 Disc brakes (ventilated front)
- Nissan Rear Park System (RPS)

SECURITY

- Immobiliser and alarm
- Remote central locking
- Deadlocking
- 3-Button key

COMFORT AND CONVENIENCE

- Single CD player with steering wheel controls
- 3-Way adjustable driver seat and height adjust
- Twin passenger seat-bench with additional 3-point seatbelt
- Removable 2nd row of seats (bench - 3 seats)
- Foldable and removable 3rd row of seats (bench - 3 seats)
- Power assisted steering
- Reach adjustable steering wheel
- One-touch power windows
- Power and heated door mirrors
- Front body coloured bumper - partly coloured
- 3rd Row area with windows
- Trip computer

OPTIONS

- Metallic paint
- Front air conditioning
- Speed limiter @62mph
- Towbar
- Digital tachograph and towbar

OPTION PACKS

- Comfort Pack
- Safety Pack
- Technology Pack
- Combi Cargo



PRIMASTAR MINIBUS			
Dimensions (mm)		Minibus	
		SWB Low	LWB Low
Wheelbase	A	3098	3498
Overall length	B	4782	5182
Overall height	C	1942 - 1963	
Sill height	D	6 Seat: 540 for 1.2 tonnes payload ; 9 Seat: 535 for 1.2 tonnes payload	6 Seat: 538 ; 9 Seat: 532
Overall width	E	1904	
Cargo length	F	2360/1548/744	2760/1948/1144
Cargo height	G	1369	
Cargo width	H	1678	
Width between wheel arches	I	1234	



		MODEL							
Length		Short Wheelbase				Long Wheelbase			
Roof height		Low							
Engine		dCi115		dCi150		dCi115		dCi150	
Gross vehicle weight		2900							
Seats		9 Seats							
Engine capacity		manual	semi-auto	manual	semi-auto	manual	semi-auto	manual	semi-auto
ENGINE									
No.of cylinders		4							
Valves per cylinder		4							
Engine capacity		cm3	1995	2464	1995	2464	1995	2464	2464
Bore x Stroke		mm	84x90	89x99	84x90	89x99	84x90	89x99	89x99
Maximum engine power		hp	115	150	115	150	115	150	150
		rpm	3500						
Maximum torque		Nm	290	320	290	320	290	320	320
		rpm	1600	1500	1600	1500	1600	1500	1500
Compression ratio			15.6:1	17.1:1	15.6:1	17.1:1	15.6:1	17.1:1	17.1:1
Fuel type		Diesel							
Fuel supply		Direct Common Rail							
Battery		Ah	85	95	85	95	85	95	95
Alternator		Amps	150						
DRIVE TRAIN									
Transmission		6 speed manual/6 speed semi-automatic							
Drive wheels		Front							
CHASSIS									
Suspension		Front	Independent, McPherson strut, coil springs, anti-roll bar						
		Rear	Torsion beam axle, coil springs with progressive action, shock absorbers with variable damping and anti-roll bar						
Steering		Rack and pinion, power assisted							
Braking system (option)		Ventilated discs front : 305mm/28mm, plain discs rear : 280mm/12mm, Hydraulic braking and two independent circuits in "X", power assisted (EBD, 4 sensor ABS)							
Wheel size		6 J 16							
Tyre size		Standard	205/65 R16C	215/65 R16	205/65 R16C	215/65 R16	205/65 R16C	215/65 R16	215/65 R16
		Optional	215/65 R16 / 205/65 R16AW	-	215/65 R16 / 205/65 R16AW	-	215/65 R16 / 205/65 R16AW	-	-
PERFORMANCE									
Maximum speed		km/h	160	170	160	170	160	170	170
		mph	99.4	105.6	99.4	105.6	99.4	105.6	105.6
Min. turning circle (kerb to kerb)		m	11.84			13.17			

Weights and dimensions for 3 seats/6 seats/9 seats versions without options, driver and passengers, including coolant, oils, spare wheel, tools and 90% full fuel.

Combi weights for 3 seats/6 seats/9 seats versions without options, driver and passengers, including coolant, oils, spare wheel, tools and 90% full fuel.

*GVW minus unladen weight (driver and crew weight must be subtracted).

(1) When a vehicle is fitted with a towbar, it is recommended that a tachograph is fitted, since the ability to tow a trailer giving a Gross Train Weight (GVW + Trailer Weight) of over 3,500Kg without a tachograph could be considered to be contrary to EU and UK road traffic legislation.

Range shown also includes versions to be launched later in model year.

MODEL											
Length		Short Wheelbase					Long Wheelbase				
Roof height		Low									
Engine		dCi115		dCi150		dCi115		dCi150			
Gross vehicle weight		2900									
Seats		9 Seats									
Engine capacity		manual	semi-auto	manual	semi-auto	manual	semi-auto	manual	semi-auto		
WEIGHTS											
Kerb weight	Min.	kg	1771/1832/1893	1785/1846/1908	1819/1880/1942	1833/1894/1955	1827/1887/1954	1841/1902/1969	1875/1936/2003	1890/1950/2016	
Gross vehicle weight			2920	2930	2970	2985	3040	3050	3045/3045/3070	3005/3005/3070	
Maximum payload*			1149/1088/1027	1145/1084/1022	1151/1090/1028	1152/1091/1030	1213/1153/1086	1209/1148/1081	1170/1109/1067	1115/1055/1054	
Gross axle weight		Front	kg				1580		1620		
		Rear	kg				1650				
Max trailer weight (1)		Braked	kg				2000				
		Unbraked	kg				750				
MODEL											
		Short Wheel Base					Long Wheel Base				
OVERALL DIMENSIONS											
Length		mm	4782				5182				
Width		mm	1904								
Height (unladen)		Min.	mm								1942 - 1963
Wheelbase		mm	3098				3498				
Overhang		Front	mm								833
		Rear	mm								851
Track		Front	mm								1615
		Rear	mm								1630
Ground clearance (unladen)		mm	178		182		187		177		
CARGO AREA DIMENSIONS											
Maximum length		mm	2360/1548/744				2760/1948/1144				
Maximum width		mm	1678								
Maximum height		mm	1369								
Maximum width between wheel arches		mm	1234								
Maximum load platform height		mm	6 seat: 540 for 1.2 tonnes payload; 9 seat: 535 for 1.2 tonnes payload				6 seat: 538; 9 seat: 532				
Cargo volume		m ³	6 seat: 3.10; 9 seat: 1.24				6 seat: 4.00; 9 seat: 2.15				
Side door		Width	mm								1000
		Height	mm								1285
Back door		Width	mm								1390
		Height	mm								1306
FUEL TANK											
Capacity		l	90								

PRIMASTAR VAN PRICE LIST



Wheelbase	Engine	Roof	GVW (kg)	Grade	Power	Payload (kg)	Transmission	Basic Delivered	VED + 1st Reg	Basic On The Road
Short	2.0 dCi	Low	2,700	SE	115HP	1,000	6 manual	16,680	255	16,935
	2.0 dCi	Low	2,700	SE	115HP	1,000	6 Semi-auto	17,480	255	17,735
	2.0 dCi	Low	2,900	SE	115HP	1,200	6 manual	17,080	255	17,335
	2.0 dCi	Low	2,900	SE	115HP	1,200	6 Semi-auto	17,880	255	18,135
	2.0 dCi	High	2,900	SE	115HP	1,200	6 manual	17,780	255	18,035
Long	2.0 dCi	Low	2,900	SE	115HP	1,200	6 manual	17,880	255	18,135
	2.0 dCi	Low	2,900	SE	115HP	1,200	6 Semi-auto	18,680	255	18,935
	2.0 dCi	High	2,900	SE	115HP	1,200	6 manual	18,580	255	18,835
	2.0 dCi	High	2,900	SE	115HP	1,200	6 Semi-auto	19,380	255	19,635
	2.5 dCi	Low	2,900	SE	150HP	1,200	6 manual	19,080	255	19,335
	2.5 dCi	High	2,900	SE	150HP	1,200	6 manual	19,780	255	20,035

PRIMASTAR CREW VAN* PRICE LIST

Wheelbase	Engine	Roof	GVW (kg)	Grade	Power	Payload (kg)	Transmission	Basic Delivered	VED + 1st Reg	Basic On The Road
Short	2.0 dCi	Low	2,900	SE	115HP	1,200	6 manual	19,180	255	19,435
Long	2.0 dCi	Low	2,900	SE	115HP	1,200	6 manual	19,980	255	20,235

The Basic Delivered price excludes VAT but includes delivery to the dealership and number plates. The Basic On The Road price excludes VAT but includes delivery to the dealership, number plates, 12 months Vehicle Excise Duty (£185) and Government First Registration Fee of £55.

* Special build conversions may be subject to extended delivery.

PRIMASTAR OPTIONS

	SE	Crew Van SE	Basic Price
Metallic paint	○	○	350
Air Conditioning with Pollen Filter	○	○	600
Power Take-Off (not compatible with air con or semi auto transmission)	○		120
Digital Tachograph	○		500
Digital Tachograph + Towbar	○	○	825
Speed limiter @ 62 mph	○	○	50
Speed limiter @ 68 mph	○	○	50
Offside (right) Sliding Door	○	●	250
250° Opening Rear Doors (unglazed) - LWB, Low Roof Only	○		250
Driver 1/3 Bulkhead + single passenger seat - LWB, Low Roof Only	○		NO COST
Loading Ladder (prices from)	□	□	115.88
Roof Rack (prices from)	□	□	517.98
Single roof bar	□	□	103.10

OPTION PACKS			
Comfort Pack*	○		800
- Air Conditioning with Pollen Filter			
- Driver Seat Armrest			
- Front Fog Lamps			
- Intelligent Wipers			
- Automatic Lighting System			
Safety Pack	○		500
- Front Fog Lamps			
- Passenger Airbag			
- ESP			
Technology Pack*	○		1,250
- Satellite Navigation			
- Air Conditioning			
Glazed Tailgate Pack	○		250
- Rear Glazed Tailgate with Wiper			
- Heated Rear Windows			
- Glazed Bulkhead with Rearview Mirror			
Glazed Rear Doors Pack A - with Tubular Bulkhead	○		100
- Glazed Rear Doors 180° Opening			
- 1/3 Tubular Bulkhead and Interior Rearview Mirror			
Glazed Rear Doors Pack B - with Glazed Bulkhead	○		200
- Glazed Rear Doors 180° Opening with Wiper			
- Glazed Bulkhead and Interior Rearview Mirror			
- Heated Rear Windows			
Glazed Rear Doors Pack C - with Glazed Left Side Door	○		300
- Glazed Rear Doors 180° Opening with Wiper			
- 1/3 Tubular Bulkhead and Interior Rearview Mirror			
- Heated Rear Windows			
- Glazed Left Side Door with Opening Window			
- Single Passenger Seat			

For latest information on options that can be combined together, please contact your local Nissan Dealer.

*When specifying Technology pack and Comfort pack together the combined option price is reduced by £550. Basic Price excludes VAT. Dealer fit option prices include fitting but are only a guide. Please check with your local Nissan dealer for exact prices.

Optional - ○ Standard - ● Optional Dealer Fit - □

PRIMASTAR MINIBUS PRICE LIST



Wheelbase	Engine	Roof	GVW (kg)	Grade	Power	Transmission	Basic Delivered	VAT	Total Retail	On The Road
Short	2.0 dCi	Low	2,900	SE	115HP	6 manual	19,347.77	3,385.86	22,733.63	23,338.63
Short	2.0 dCi	Low	2,900	SE	115HP	6 Semi-auto	20,147.77	3,525.86	23,673.63	24,278.63
Short	2.5 dCi	Low	2,900	SE	150HP	6 manual	20,352.02	3,561.60	23,913.62	24,718.62
Long	2.0dCi	Low	2,900	SE	115HP	6 manual	20,147.77	3,525.86	23,673.63	24,278.63
Long	2.5 dCi	Low	2,900	SE	150HP	6 manual	21,152.02	3,701.60	24,853.62	25,658.62

Basic and Total Retail prices include delivery to the Dealership and number plates. On The Road price includes 12 months Government Vehicle Excise Duty (£550 on 2.0 and £750 on 2.5) and Government First Registration fee of £55.

PRIMASTAR MINIBUS OPTIONS

	SE	Basic Price	VAT	Total
Metallic paint	○	350.00	61.25	411.25
Air Conditioning - Front	○	600.00	105.00	705.00
Speed Limiter @ 62mph	○	50.00	8.75	58.75
Towbar	○	325.00	56.88	381.88
Digital Tachograph and Towbar	○	825.00	144.38	969.38
Loading Ladder	□	115.88	20.28	136.16
Roof Rack	□	517.98	90.65	608.63
Single roof bar	□	103.10	18.04	121.14
OPTIONS PACKS				
Comfort Pack*	○	1,250	218.75	1468.75
- Air Conditioning (front & rear) + Pollen Filter				
- Front Armrest				
- Intelligent Wipers				
- Automatic Lighting System				
- Front Fog Lamps				

	SE	Basic Price	VAT	Total
Safety Pack	<input type="radio"/>	750	131.25	881.25
- Rear Airbag				
- Front Side Airbags				
- Front Fog Lamps				
- ESP (on manual gearbox variants)				
- Intelligent Wipers				
- Automatic Lighting System				
Technology Pack*	<input type="radio"/>	1,250	218.75	1468.75
- Satellite Navigation				
- Air Conditioning (front) + Pollen Filter				
Combi Cargo	<input type="radio"/>		NO COST OPTION	
- Delete 3rd Row Seats				

*When specifying Technology pack and Comfort pack together the combined option price is reduced by £550. Basic Price excludes VAT.
 Dealer fit option prices include fitting but are only a guide. Please check with your local Nissan dealer for exact prices.

Optional - Optional Dealer Fit -



SHIFT_ is an English word from a Japanese car company that best embraces our values and the mission of this corporation. No matter where you are in the world, SHIFT_ is the way to express who we are, how we work and what we are trying to accomplish.

Everything we touch, we SHIFT_ and everything we SHIFT_ we try to make better and uniquely Nissan.

Visit our websites at:

www.nissan.co.uk

www.nissan-lcv.co.uk

Dealer stamp:



SHIFT_ the way you move

We take all our environmental responsibilities very seriously – innovation today comes with a deep respect for the environment. Our engines are now much more unobtrusive and their emissions have been considerably reduced. All our vehicles are designed with recycling in mind and are on target to reach 95% recyclability. This brochure is for general guidance only and its contents do not in any way constitute an offer or representation from Nissan. Every effort has been made to ensure the content of this publication is correct at the time of going to press (September 2009). In accordance with the company's policy of continuously improving its products, Nissan reserves the right to change at any time the specification and the vehicles described and shown in this publication. Nissan dealers will be informed of any such modifications as quickly as possible. Please check with your local Authorised Nissan Dealer to receive the most up-to-date information. Because of the limitations of the printing processes used, the colours shown in this brochure may differ slightly from the actual colours of the paint and interior trim materials used. All rights reserved. Reproduction in whole or part of this brochure without the written permission of Nissan is forbidden.

Benefits and services are provided by RAC Motoring Services and/or RAC Insurance Limited. RAC Motoring Services (Company No. 01424399, Head Office: 8 Surrey Street, Norwich, NR1 3NG) in respect of insurance mediation activities only and RAC Insurance Limited (Company No. 2355834, Head Office: 8 Surrey Street, Norwich, NR1 3NG) are authorised and regulated by the Financial Services Authority within the jurisdiction of the Financial Ombudsman Service and the Financial Services Compensation Scheme. Calls may be monitored and/or recorded. Roadside Assistance has been arranged for you by Nissan and is provided by RAC free of charge. Details of the contractual arrangements under which RAC Services are provided to you are available by calling 0870 366 5603.